

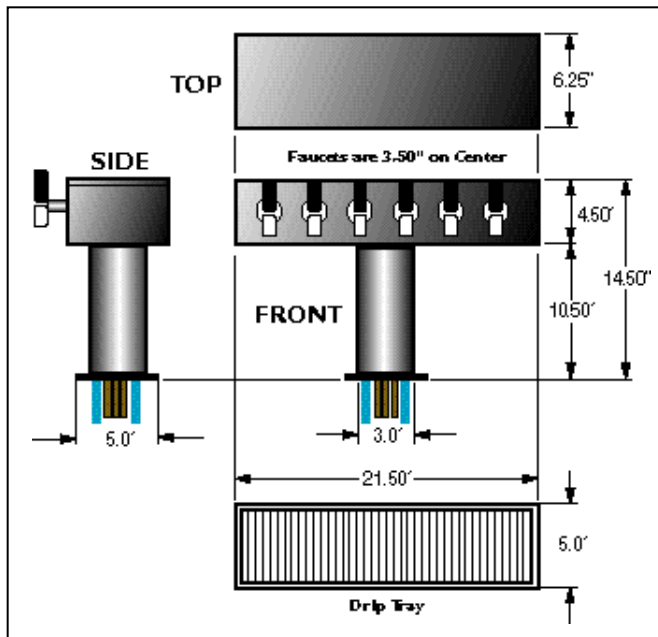
MODEL NUMBERS:

Stainless Steel

- SCT-3F**, SS Tower – 3 Faucets **SCT-6F**, SS Tower – 6 Faucets
- SCT-4F**, SS Tower – 4 Faucets **SCT-8F**, SS Tower – 8 Faucets
- SCT-5F**, SS Tower – 5 Faucets **SCT-12F**, SS Tower – 12 Faucets

Brass

- BCT-3F**, Brass Tower – 3 Faucets **BCT-6F**, Brass Tower – 6 Faucets
- BCT-4F**, Brass Tower – 4 Faucets **BCT-8F**, Brass Tower – 8 Faucets
- BCT-5F**, Brass Tower – 5 Faucets **BCT-12F**, Brass Tower – 12



CHILL-PAK™ COLD T-TOWERS:

For those who prefer a classic tower, we offer our Cold T-Tower. As in the Cold Draft Arm above, the beer lines and the glycol lines are directed into the tower through stainless steel lines embedded in a block of molded aluminum. This acts as an additional cold reservoir and cold exchanger. The beer is kept at a consistently cold temperature right up to the faucet. The Cold Towers feature a special foam reduction system which, almost completely eliminate waste and foam. Precision manufactured from stainless steel and aluminum, fully insulated. Available in brushed stainless steel, bright chrome, and bright brass finish. Includes 1-year full replacement warranty protected by U.S. patent. International patents pending.

SPECIFICATIONS:

- Streamline design – fits more applications
- Beer lines have a 3/8" barbed inlet
- Glycol lines have a 1/2" barbed inlet
- Built-in line restriction
- Internal cold block manufactured from 99.7% purity aluminum
- Totally insulated
- Includes 1-year full replacement warranty
- Protected by U.S. patent. international patents pending

Single Pedestal Models				
Model	Height	Width	Depth	Drip Tray
Stainless Steel				
SCT-3F , T-Tower – 3 Faucets	14.50"	11.00"	6.25"	5.00" x 11.00"
SCT-4F , T-Tower – 4 Faucets	14.50"	14.50"	6.25"	5.00" x 14.50"
SCT-5F , T-Tower – 5 Faucets	14.50"	18.00"	6.25"	5.00" x 14.50"
SCT-6F , T-Tower – 6 Faucets	14.50"	21.00"	6.25"	5.00" x 18.00"
Brass				
BCT-3F , T-Tower – 3 Faucets	14.50"	11.00"	6.25"	5.00" x 11.00"
BCT-4F , T-Tower – 4 Faucets	14.50"	14.50"	6.25"	5.00" x 14.50"
BCT-5F , T-Tower – 5 Faucets	14.50"	18.00"	6.25"	5.00" x 14.50"
BCT-6F , T-Tower – 6 Faucets	14.50"	21.00"	6.25"	5.00" x 18.00"

Dual Pedestal Models					
Model	Height	Width	Depth	Drip Tray	Pedestals On Center
Stainless Steel					
SCT-8F , T-Tower – 8 Faucets	14.50"	28.50"	6.25"	5.00" x 28.50"	14.00"
SCT-10F , T-Tower – 10 Faucets	14.50"	35.50"	6.25"	5.00" x 36.00"	18.00"
SCT-12F , T-Tower – 12 Faucets	14.50"	42.00"	6.25"	5.00" x 42.50"	21.00"
Brass					
BCT-8F , T-Tower – 8 Faucets	14.50"	11.00"	6.25"	5.00" x 28.50"	14.00"
BCT-10F , T-Tower – 10 Faucets	14.50"	14.50"	6.25"	5.00" x 36.00"	18.00"
BCT-12F , T-Tower – 12 Faucets	14.50"	18.00"	6.25"	5.00" x 42.50"	21.00"